

NOTES:

1 ADD LOCTITE 248 TO END OF THREADS.

| | | |
|----------------|-------------------|--------------|
| FLT550 | P/N : CW31650-102 | SUBREV : E |
| DRAWN BY : MAH | DATE : 10.27.10 | SHEET 1 OF 4 |

D

C

B

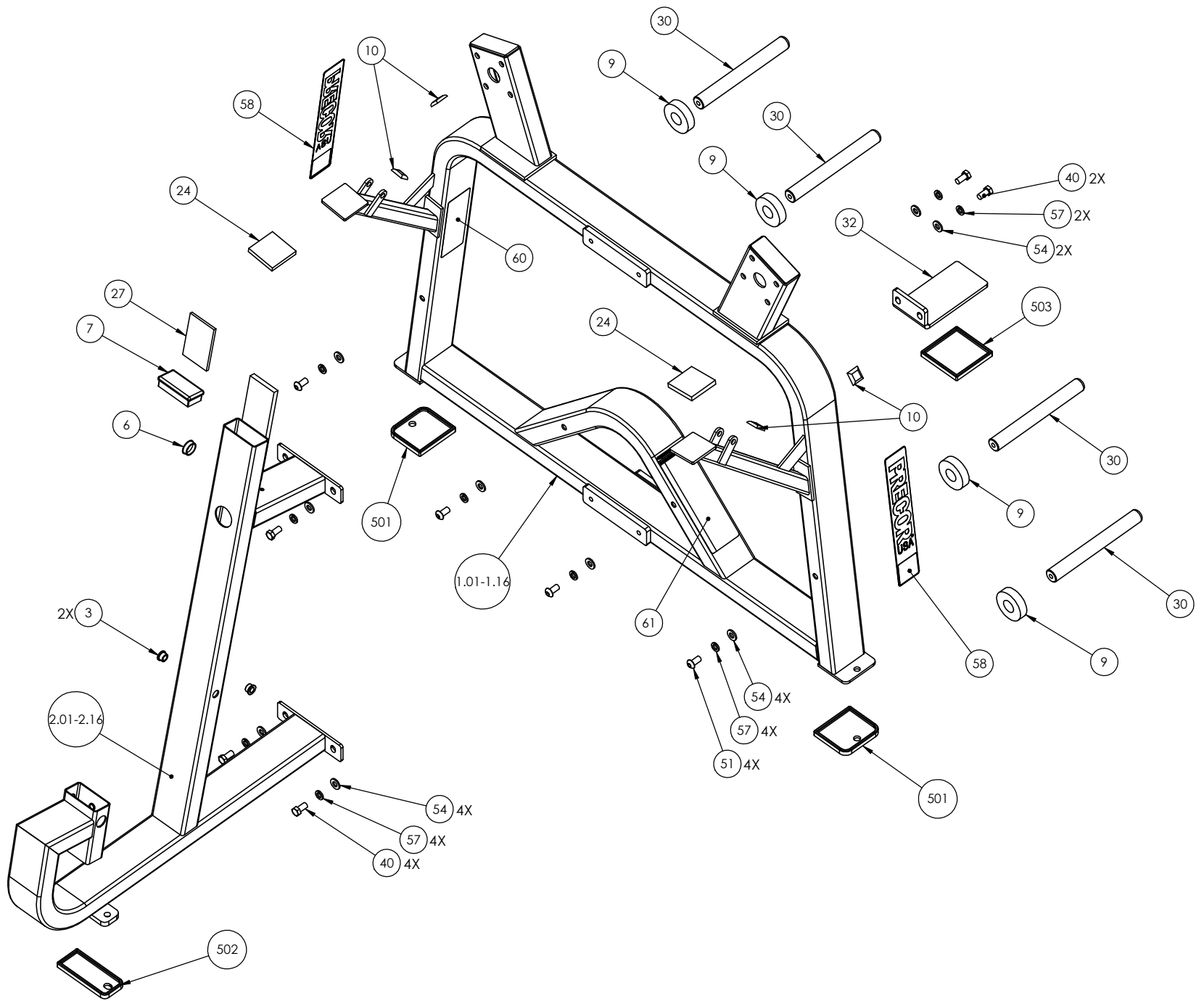
A

4

3

2

1

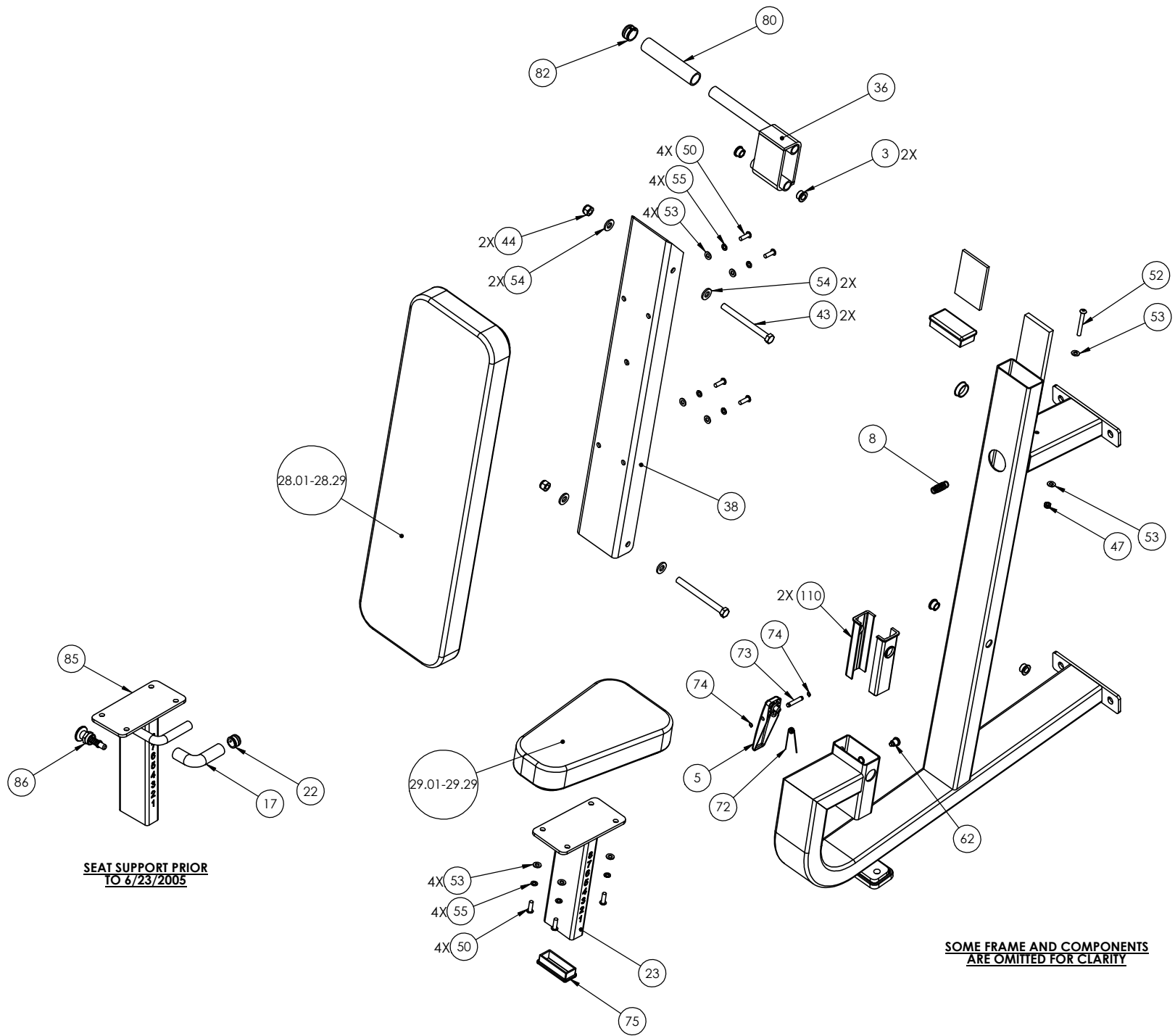


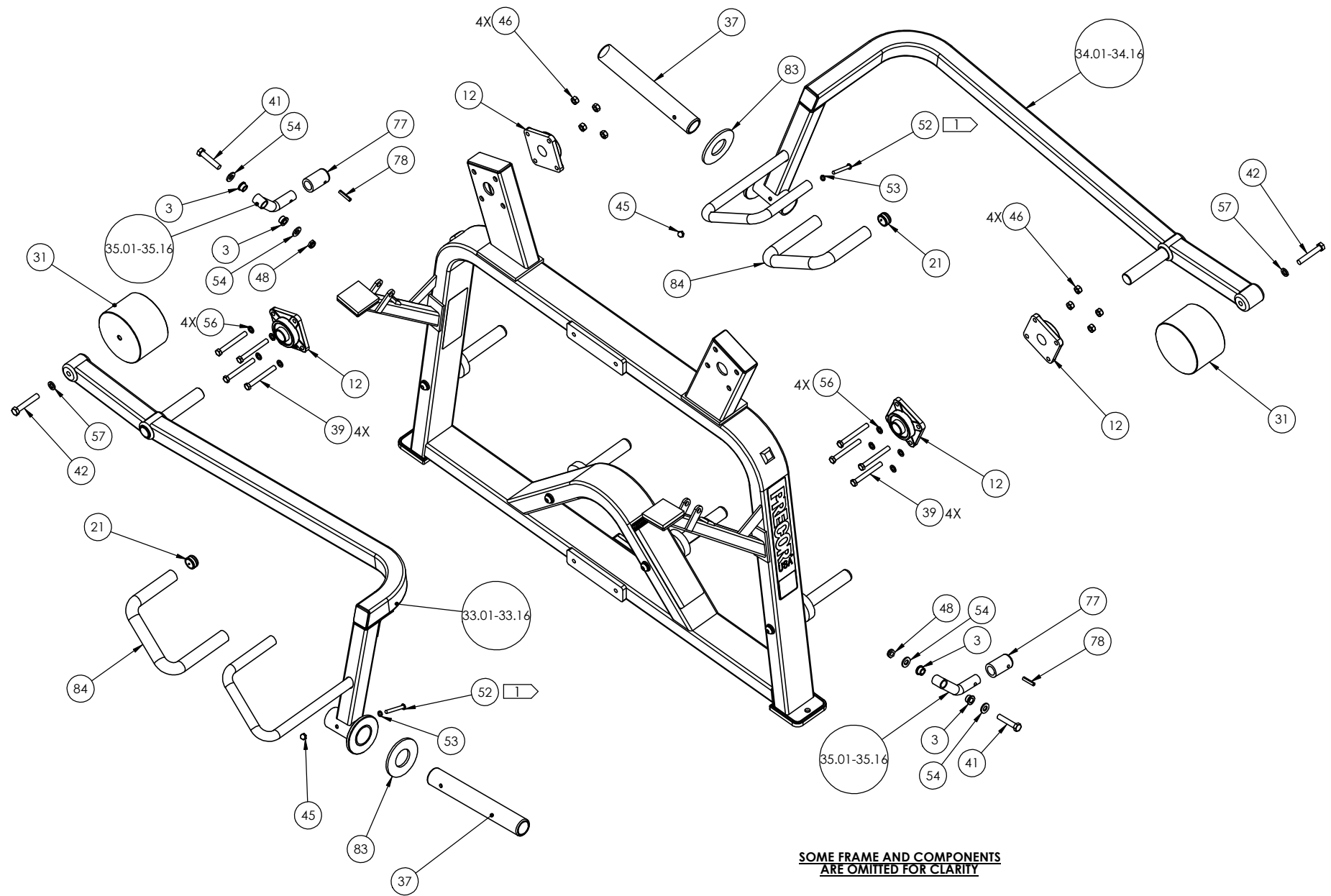
4

3

2

1





**SOME FRAME AND COMPONENTS
ARE OMITTED FOR CLARITY**

550 Flite Shoulder Press

| Part Number | Description | Bubble Number |
|---------------|-------------------------------------|---------------|
| CW550SA1-211 | ASSY,FRAME,MAIN,FLT550,SKY WHITE | 1.01 |
| CW550SA1-321 | ASSY,FRAME,MAIN,FLT550,TITANIUM HG | 1.12 |
| CW550SA2-212 | ASSY,FRAME,SEAT,FLT550,SKY WHITE | 2.01 |
| CW550SA2-312 | ASSY,FRAME,SEAT,FLT550,STONE HG | 2.11 |
| CW550SA2-322 | ASSY,FRAME,SEAT,FLT550,TITANIUM HG | 2.12 |
| CW10043-132 | BUSHING, BRONZE, 1/2" ID X 3/4" OD | 3 |
| CW30071-101 | LABEL,INSTRUCTION,FLT550 | 3 |
| CW10043-132 | BUSHING, BRONZE, 1/2" ID X 3/4" OD | 4 |
| CW32460-221 | ASSY, RATCHETING LEVER, BLACK | 5 |
| CW11095-105 | CAP, PLASTIC, HEYCO, DOME PLUG, 1.2 | 6 |
| CW11311-102 | ENDCAP, REC TUBE, 2X4, BLK PLASTIC | 7 |
| CW10077-104 | SPRING, TENSION, 1 OD X 4" LENGTH | 8 |
| CW12402-102 | BUMPER, ID 1.248 , BLK RUBBER | 9 |
| CW12575-101 | MOULDED BUMPON, BLACK, 31.75MM SQ (| 10 |
| CW34822-101 | LABEL, "ASSEMBLED IN THE USA" | 11 |
| CWAC1161-101 | LABEL, ROUND, "MADE IN USA" | 11 |
| CW12407-101 | PILLOW BLOCK, BEARING, FLANGE, 4 BO | 12 |
| CWAC1170-101 | LABEL, "FLITE", 1 3/4 X 6 1/4 | 13 |
| CWAC1171-101 | LABEL, "FLITE", 3 1/2 X 12 3/4 | 14 |
| CWAC1183-101 | LABEL, WARNING, SERIOUS INJURY | 15 |
| CWAC1186-101 | LABEL, FLITE SERIAL NUMBER | 16 |
| CW32215-711 | ASSEMBLY, SEAT ADJUSTMENT, 8 HOLE, | 23 |
| CW30014-209 | CUT PIECE, CREPE, 3/8 THICK, 3.00 X | 24 |
| CW30013-204 | CUT PIECE, CREPE, 1/4 THICK, 3.00 X | 27 |
| CWPD1102J-101 | PAD,FLAT,10X36,4HOLES,W/BP,BLACK,W/ | 28.01 |
| CWPD1102J-102 | PAD,FLAT,10X36,4HOLES,W/BP,RYL BL,W | 28.02 |
| CWPD1102J-103 | PAD,FLAT,10X36,4HOLES,W/BP,DVE GRY, | 28.03 |
| CWPD1102J-104 | PAD,FLAT,10X36,4HOLES,W/BP,CROCUS,W | 28.04 |
| CWPD1102J-105 | PAD,FLAT,10X36,4HOLES,W/BP,GROTTO,W | 28.05 |
| CWPD1102J-106 | PAD,FLAT,10X36,4HOLES,W/BP,GRAPHITE | 28.06 |
| CWPD1102J-107 | PAD,FLAT,10X36,4HOLES,W/BP,RED,W/SL | 28.07 |
| CWPD1102J-108 | PAD,FLAT,10X36,4HOLES,W/BP,CHN GRN, | 28.08 |
| CWPD1102J-109 | PAD,FLAT,10X36,4HOLES,W/BP,TURQSE,W | 28.09 |
| CWPD1102J-110 | PAD,FLAT,10X36,4HOLES,W/BP,RASP,W/S | 28.1 |
| CWPD1102J-111 | PAD,FLAT,10X36,4HOLES,W/BP,PLUM,W/S | 28.11 |
| CWPD1102J-112 | PAD,FLAT,10X36,4HOLES,W/BP,REGIMENT | 28.12 |
| CWPD1102J-113 | PAD,FLAT,10X36,4HOLES,W/BP,SPC BLUE | 28.13 |
| CWPD1102J-115 | PAD,FLAT,10X36,4HOLES,W/BP,BLK LTHR | 28.15 |
| CWPD1102J-116 | PAD,FLAT,10X36,4HOLES,W/BP,NVBL LTH | 28.16 |
| CWPD1102J-117 | PAD,FLAT,10X36,4HOLES,W/BP,PUTTY,W/ | 28.17 |
| CWPD1102J-118 | PAD,FLAT,10X36,4HOLES,W/BP,IMPRL BL | 28.18 |
| CWPD1102J-119 | PAD,FLAT,10X36,4HOLES,W/BP,YEW GRN, | 28.19 |
| CWPD1102J-120 | PAD,FLAT,10X36,4HOLES,W/BP,DSTY JDE | 28.2 |
| CWPD1102J-121 | PAD,FLAT,10X36,4HLS,W/BP,TRRA CTTA, | 28.21 |
| CWPD1102J-122 | PAD,FLAT,10X36,4HOLES,W/BP,PAPRIKA, | 28.22 |
| CWPD1102J-123 | PAD,FLAT,10X36,4HLS,W/BP,ASH LTHR,W | 28.23 |
| CWPD1102J-124 | PAD,FLAT,10X36,4HL,W/BP,CERULN LTH, | 28.24 |
| CWPD1102J-126 | PAD,FLAT,10X36,4HLS,W/BP,HUNTER LTH | 28.26 |

| | | |
|---------------|-------------------------------------|-------|
| CWPD1102J-127 | PAD,FLAT,10X36,4HLS,W/BP,MOSS LTH,W | 28.27 |
| CWPD1102J-128 | PAD,FLAT,10X36,4HLS,W/BP,SPICE LTH, | 28.28 |
| CWPD1102J-129 | PAD,FLAT,10X36,4HLS,W/BP,TOMATO LTH | 28.29 |
| CWPD1207B-101 | PAD,5X9X14.5,4HOLES,W/BP,BLACK | 29.01 |
| CWPD1207B-102 | PAD,5X9X14.5,4HOLES,W/BP,RYL BL | 29.02 |
| CWPD1207B-103 | PAD,5X9X14.5,4HOLES,W/BP,DVE GRY | 29.03 |
| CWPD1207B-104 | PAD,5X9X14.5,4HOLES,W/BP,CROCUS | 29.04 |
| CWPD1207B-105 | PAD,5X9X14.5,4HOLES,W/BP,GROTTO | 29.05 |
| CWPD1207B-107 | PAD,5X9X14.5,4HOLES,W/BP,RED | 29.07 |
| CWPD1207B-108 | PAD,5X9X14.5,4HOLES,W/BP,CHN GRN | 29.08 |
| CWPD1207B-109 | PAD,5X9X14.5,4HOLES,W/BP,TURQSE | 29.09 |
| CWPD1207B-111 | PAD,5X9X14.5,4HOLES,W/BP,PLUM | 29.11 |
| CWPD1207B-113 | PAD,5X9X14.5,4HOLES,W/BP,SPC BLUE | 29.13 |
| CWPD1207B-118 | PAD,5X9X14.5,4HOLES,W/BP,IMPRL BL | 29.18 |
| CWPD1207B-119 | PAD,5X9X14.5,4HOLES,W/BP,YEW GRN | 29.19 |
| CWPD1207B-120 | PAD,5X9X14.5,4HOLES,W/BP,DSTY JD | 29.2 |
| CWPD1207B-121 | PAD,5X9X14.5,4HOLES,W/BP,TER COT | 29.21 |
| CWPD1207B-122 | PAD,5X9X14.5,4HOLES,W/BP,PAPRIKA | 29.22 |
| CWPD1207B-123 | PAD,5X9X14.5,4HLS,W/BP,ASH LTHR | 29.23 |
| CWPD1207B-126 | PAD,5X9X14.5,4HLS,W/BP,HUNTER LTHR | 29.26 |
| CWPD1207B-127 | PAD,5X9X14.5,4HLS,W/BP,MOSS LTHR | 29.27 |
| CWPD1207B-128 | PAD,5X9X14.5,4HLS,W/BP,SPICE LTHR | 29.28 |
| CWPD1207B-129 | PAD,5X9X14.5,4HLS,W/BP,TOMATO LTH | 29.29 |
| CWPF1725-741 | BAR,STEEL RND, DIA 1 1/4" X (11), 1 | 30 |
| CWPF3449-721 | BAR, STEEL, RND, DIA 6" X 4, 1 HOLE | 31 |
| CW33286-731 | WELDMENT, STABILITY FOOT,BLACK ZINC | 32 |
| CWSA1093-211 | ASSY,ARM,LEFT,SKY WHITE | 33.01 |
| CWSA1093-221 | ASSY,ARM,LEFT,BLACK | 33.02 |
| CWSA1093-231 | ASSY,ARM,LEFT,RED | 33.03 |
| CWSA1093-241 | ASSY,ARM,LEFT,PLAT SPKLE | 33.04 |
| CWSA1093-251 | ASSY,ARM,LEFT,SILVER | 33.05 |
| CWSA1093-261 | ASSY,ARM,LEFT,BLUE | 33.06 |
| CWSA1093-271 | ASSY,ARM,LEFT,CHARCOAL | 33.07 |
| CWSA1093-281 | ASSY,ARM,LEFT,CATH GRY | 33.08 |
| CWSA1093-291 | ASSY,ARM,LEFT,SILVER VIEN | 33.09 |
| CWSA1093-311 | ASSY,ARM,LEFT,STONE HG | 33.11 |
| CWSA1093-321 | ASSY,ARM,LEFT,TITANIUM HG | 33.12 |
| CWSA1093-331 | ASSY,ARM,LEFT,WHITE GLOSS | 33.13 |
| CWSA1093-341 | ASSY,ARM,LEFT,BLACK ONYX | 33.14 |
| CWSA1093-351 | ASSY,ARM,LEFT,LIGHT BRONZE | 33.15 |
| CWSA1093-361 | ASSY,ARM,LEFT,SAPPHIRE BLUE | 33.16 |
| CWSA1094-211 | ASSY,ARM,RIGHT,SKY WHITE | 34.01 |
| CWSA1094-221 | ASSY,ARM,RIGHT,BLACK | 34.02 |
| CWSA1094-231 | ASSY,ARM,RIGHT,RED | 34.03 |
| CWSA1094-241 | ASSY,ARM,RIGHT,PLAT SPKLE | 34.04 |
| CWSA1094-251 | ASSY,ARM,RIGHT,SILVER | 34.05 |
| CWSA1094-261 | ASSY,ARM,RIGHT,BLUE | 34.06 |
| CWSA1094-271 | ASSY,ARM,RIGHT,CHARCOAL | 34.07 |
| CWSA1094-281 | ASSY,ARM,RIGHT,CATH GRY | 34.08 |
| CWSA1094-291 | ASSY,ARM,RIGHT,SILVER VIEN | 34.09 |
| CWSA1094-311 | ASSY,ARM,RIGHT,STONE HG | 34.11 |
| CWSA1094-321 | ASSY,ARM,RIGHT,TITANIUM HG | 34.12 |

| | | |
|----------------|-------------------------------------|-------|
| CWSA1094-331 | ASSY,ARM,RIGHT,WHITE GLOSS | 34.13 |
| CWSA1094-341 | ASSY,ARM,RIGHT,BLACK ONYX | 34.14 |
| CWSA1094-351 | ASSY,ARM,RIGHT,LIGHT BRONZE | 34.15 |
| CWSA1094-361 | ASSY,ARM,RIGHT,SAPPHIRE BLUE | 34.16 |
| CWSA1095-211 | ASSY, SWIVEL HEIGHT ADJ, SKY WHITE | 35.01 |
| CWSA1095-221 | ASSY, SWIVEL HEIGHT ADJ, BLACK | 35.02 |
| CWSA1095-231 | ASSY, SWIVEL HEIGHT ADJ, RED | 35.03 |
| CWSA1095-241 | ASSY, SWIVEL HEIGHT ADJ, PLAT SPKLE | 35.04 |
| CWSA1095-251 | ASSY, SWIVEL HEIGHT ADJ, SILVER | 35.05 |
| CWSA1095-261 | ASSY, SWIVEL HEIGHT ADJ, BLUE | 35.06 |
| CWSA1095-271 | ASSY, SWIVEL HEIGHT ADJ, CHARCOAL | 35.07 |
| CWSA1095-281 | ASSY, SWIVEL HEIGHT ADJ, CATHGRAY | 35.08 |
| CWSA1095-291 | ASSY, SWIVEL HEIGHT ADJ, SILVER VIE | 35.09 |
| CWSA1095-311 | ASSY, SWIVEL HEIGHT ADJ, STONE HG | 35.11 |
| CWSA1095-321 | ASSY, SWIVEL HEIGHT ADJ, TITANIUM H | 35.12 |
| CWSA1095-331 | ASSY, SWIVEL HEIGHT ADJ, WHITE GLOS | 35.13 |
| CWSA1095-341 | ASSY, SWIVEL HEIGHT ADJ, BLACK ONYX | 35.14 |
| CWSA1095-351 | ASSY, SWIVEL HEIGHT ADJ, LIGHT BRON | 35.15 |
| CWSA1095-361 | ASSY, SWIVEL HEIGHT ADJ, SAPPHIRE B | 35.16 |
| CWSA2006-721 | ASSY, TILT ADJUST, FLT541, WRKL BLK | 36 |
| CWSA2042-741 | ASSY, WEIGHT HOLDER, | 37 |
| CWSA2050-721 | ASSY,ADJUSTABLE BACK PAD FRAME,FLT5 | 38 |
| CWHCYN044-375 | SCREW, HEX HEAD , BLK XYLA | 39 |
| CWHCYN050-100 | SCREW,HEX HEAD,BLK XYLAN,1/2-13 X 1 | 40 |
| CWHCYN050-250 | SCREW, HEX HEAD, BLK XYLAN, 1/2-13 | 41 |
| CWHCYN050-350 | SCREW, HEX HEAD, BLK XYLAN, 1/2-13 | 42 |
| CWHCYN050-550 | SCREW, HEX,BLK, 1/2-13 X 5 1/2 | 43 |
| CWKDYN050-059 | LOCKNUT, NYLON INSERT, FULL, UNC, 1 | 44 |
| CWKADLN031-053 | NUT, ACORN, 5/16-18 | 45 |
| CWKMYN044-038 | NUT, HEX, UNC, 7/16-14, BLK XYLAN | 46 |
| CWKAYN031-025 | LOCKNUT, NYLON INSERT, HALF, UNC, | 47 |
| CWKAYN050-031 | LOCKNUT, NYLON INSERT, HALF, UNC, 1 | 48 |
| CWTAYN031-150 | SCREW, BUTTON HEAD, BLK XYLAN, 5/16 | 50 |
| CWTAYN050-100 | SCREW, BUTTON HEAD, BLK XYLAN, 1/2 | 51 |
| CWTAYN031-250 | SCREW, BUTTON HEAD, BLK XYLAN, 5/1 | 52 |
| CWWBKN031-007 | WASHER, FLAT, TYPE A, SAE, 5/16 ID | 53 |
| CWWBKN050-010 | WASHER, FLAT, TYPE A, SAE, 1/2 ID X | 54 |
| CWWBKN031-007 | WASHER, FLAT, TYPE A, SAE, 5/16 ID | 55 |
| CWWALYN031-008 | WASHER, SPLIT, 5/16 ID, BL | 55 |
| CWWALYN044-011 | WASHER, SPLIT, 7/16 ID, BLK XYLAN | 56 |
| CWWALYN050-013 | WASHER, SPLIT, 1/2 ID, BLK XYLAN | 57 |
| CW31756-101 | LABEL, PRECOR USA ICARIAN LINE | 58 |
| CW30071-101 | LABEL,INSTRUCTION,FLT550 | 61 |
| CW31784-731 | STOP PLUG, BLK ZN | 62 |
| CW12634-101 | SPRING, TORSION 90 DEG X 0.484 X 0. | 72 |
| CW31770-742 | LATCH PIVOTING PIN, CLR ZN | 73 |
| CWAMNN028-003 | RING, RETAINING, 2-TURN, SPIRAL, SS | 74 |
| CWCP1017-101 | CUT PIECE, UHMW, 1 1/2 OD X 1 ID X | 77 |
| CWLDNN031-150 | SLOTTED PIN SPRING, DIA. 5/16 X 1 1 | 78 |
| CWGR4606-000 | GRIP, RUBBER, 1.00" OD HANDLE, 6.00 | 80 |
| CWAC218-901 | HANDLE END CAP W/SET SCREWS, DIA 1" | 82 |
| CWCP1002-101 | CUT PIECE, CREPE, 1/4 X 2 ID X 4 1/ | 83 |

| | | |
|--------------|-------------------------------------|-----|
| CWGR4621-000 | GRIP, RUBBER, 1.00" OD HANDLE, 21.0 | 84 |
| CWAC1236-102 | GUIDE INSERT, PLASTIC WITH HOLE, BL | 110 |
| CWAC1177-101 | FLOOR PROTECTOR, RUBBER, 4.563 X 4. | 501 |
| CWAC1178-101 | FLOOR PROTECTOR, RUBBER, 2.563 X 6. | 502 |
| CWAC1181-101 | FLOOR PROTECTOR, RUBBER, 4.563 X 4. | 503 |